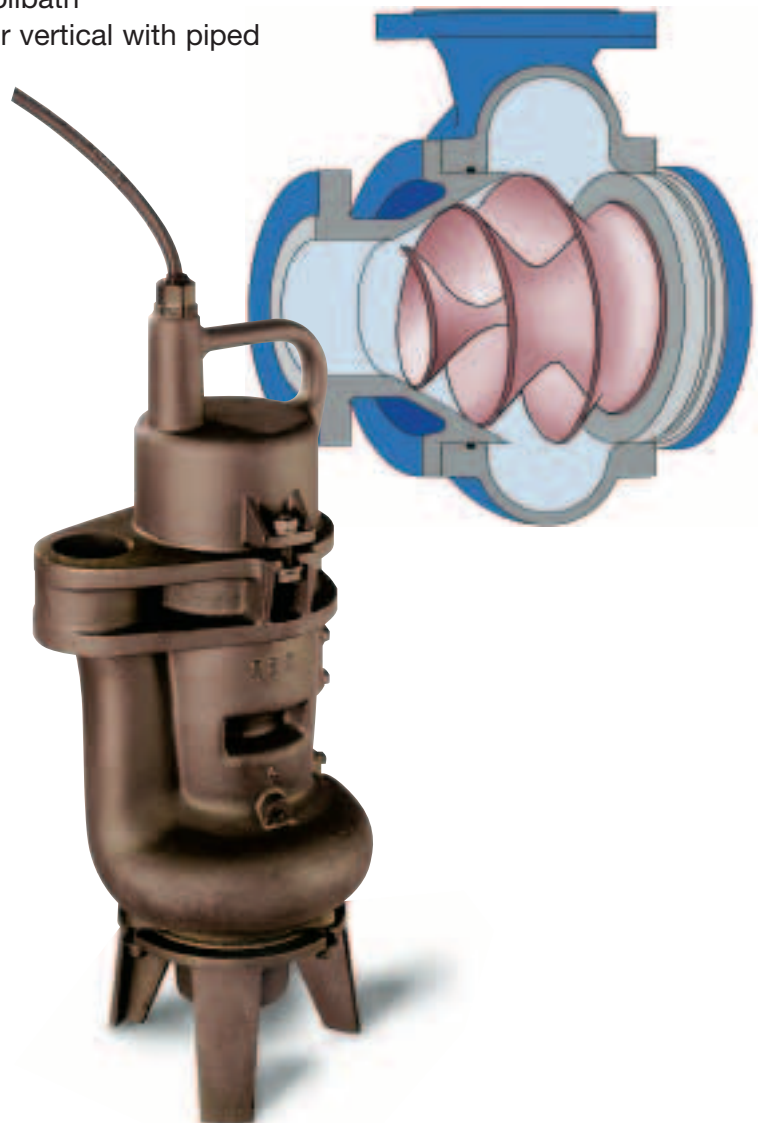


Immersible – Submersible solids handling pump A2Q

The HIDROSTAL – Screw Centrifugal Pump can tackle the most difficult jobs

- solids handling up to 50mm in diameter
- robust unit capable of handling liquids containing fibrous matter
- steep curve – giving pressure reserve when pumping thick materials
- mobile with a weight of 32 kg including 10 m cable
- high efficiency and compact construction
- non overloading power curve
- tandem mechanical seals running in oilbath
- can also be installed dry: horizontal or vertical with piped connections on suction and delivery



The pump can be used for a wide range of applications including:

- industrial effluents
- domestic sewage
- paper mills
- abattoirs
- farm effluent and many others.

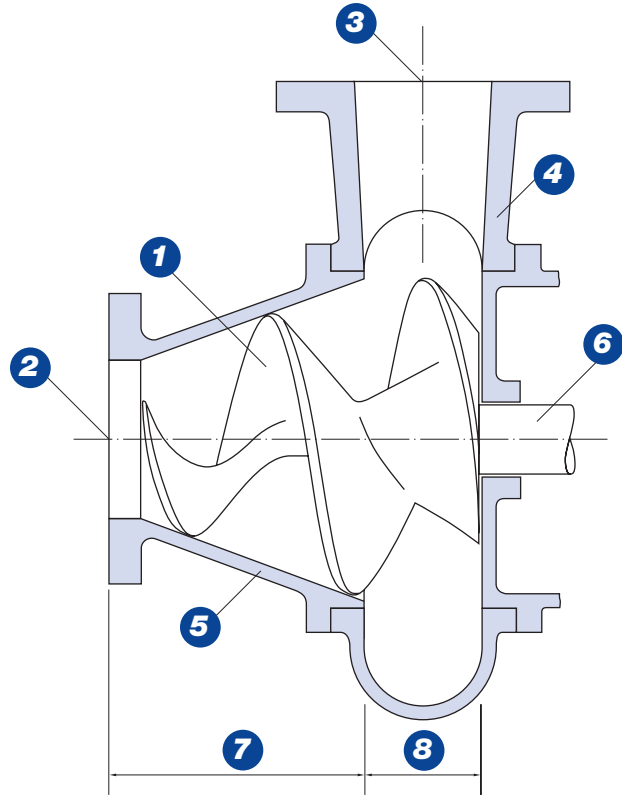
HIDROSTAL are the inventors of the Screw Centrifugal Impeller

Immersible – Submersible solids handling pump A2Q

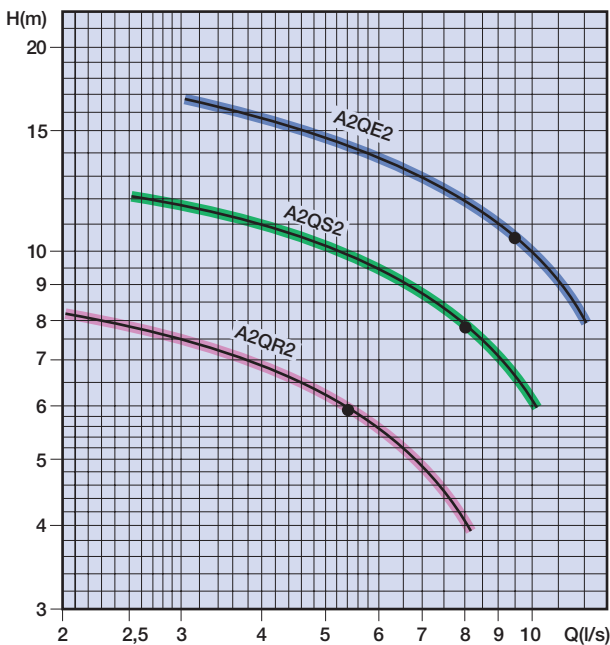
04.08
08-PR 7380a

Constructional Characteristics of the HIDROSTAL Screw Centrifugal Pump

- 1 Screw Centrifugal Impeller
- 2 Suction port
- 3 Delivery port
- 4 Spiral casing
- 5 Suction cone
- 6 Pump shaft
- 7 Screw impeller section
- 8 Centrifugal impeller section



Performance



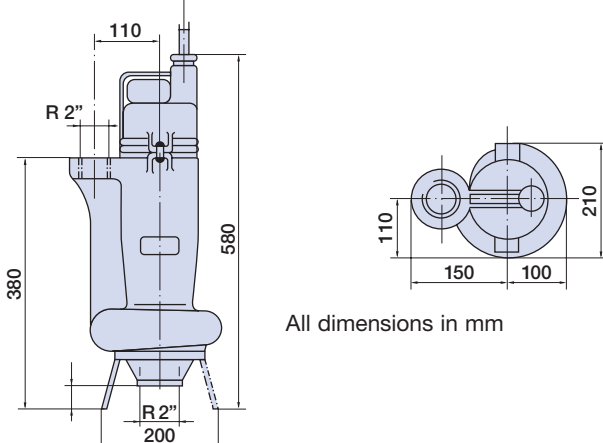
Technical Data

Delivery Port	R 2"
Free Passage	50 mm
Total weight incl. cable	32 kg
Cable	4 x 1,5 mm
Material GG20 (Impeller GGG 60)	

		400 V 50 Hz			230 V 50 Hz	
		A2QR2	A2QS2	A2QE2*	A2QR2	A2QS2
Voltage	Ph	3~	3~	3~	1~	1~
Nominal Power	kW	1,1	1,5	1,8	1,1	1,5
Speed	rpm	2870	2805	2775	2810	2725
Nominal Current	A	2,9	3,6	4,2	7,6	9,4
Starting Current Factor		6,7	5,4	4,6	6,0	5,0

*only submersible pumps

Dimensions



hidrostat
www.hidrostat.com